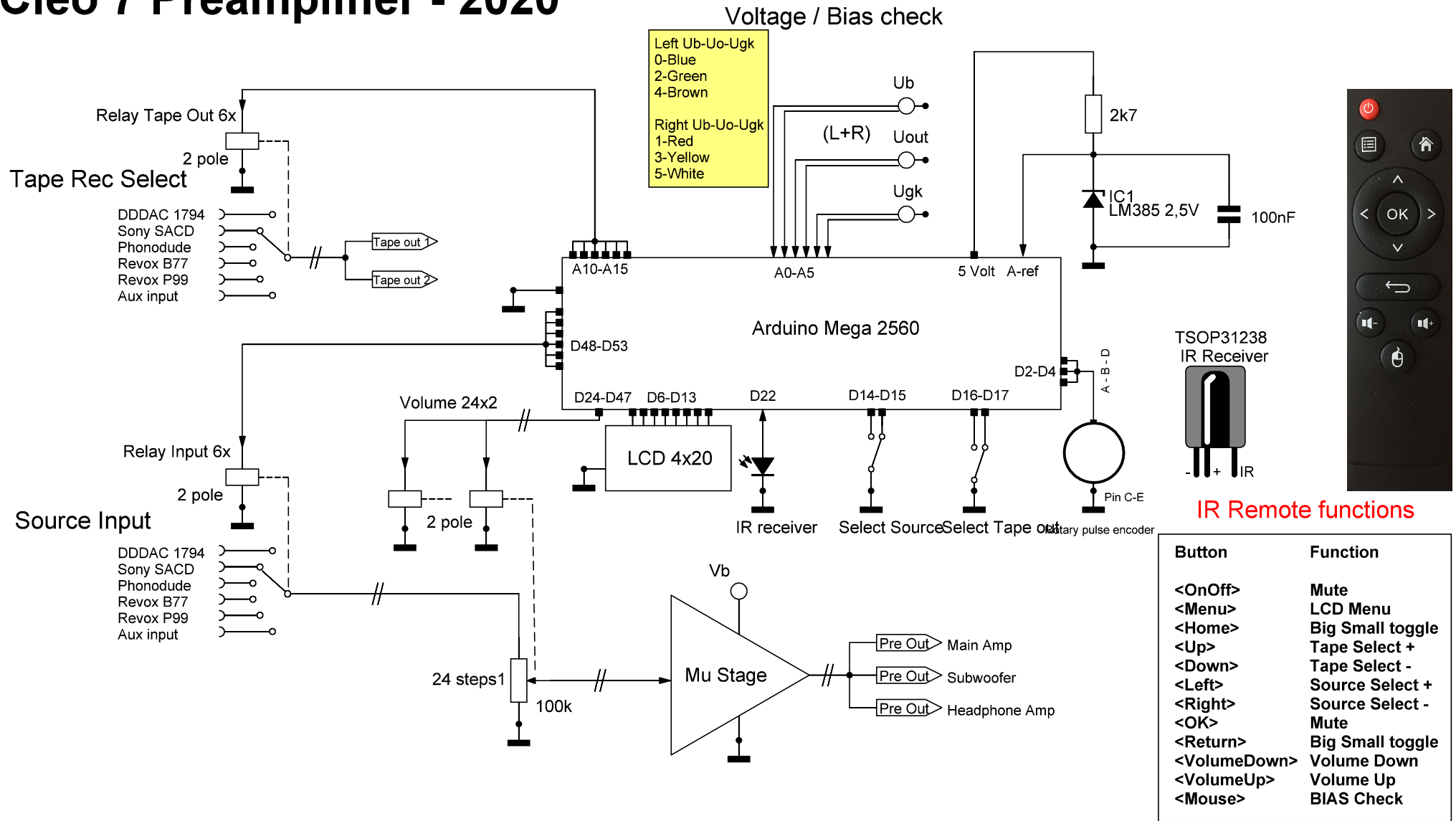


# Cleo 7 Preamplifier - 2020



Arduino Mega drives Relays through ULN2003A (HIGH = Relay "on")

## Cleo 7 Preamplifier

Update: 11-10-2020

Author: Doede Douma

Rev: 4.0

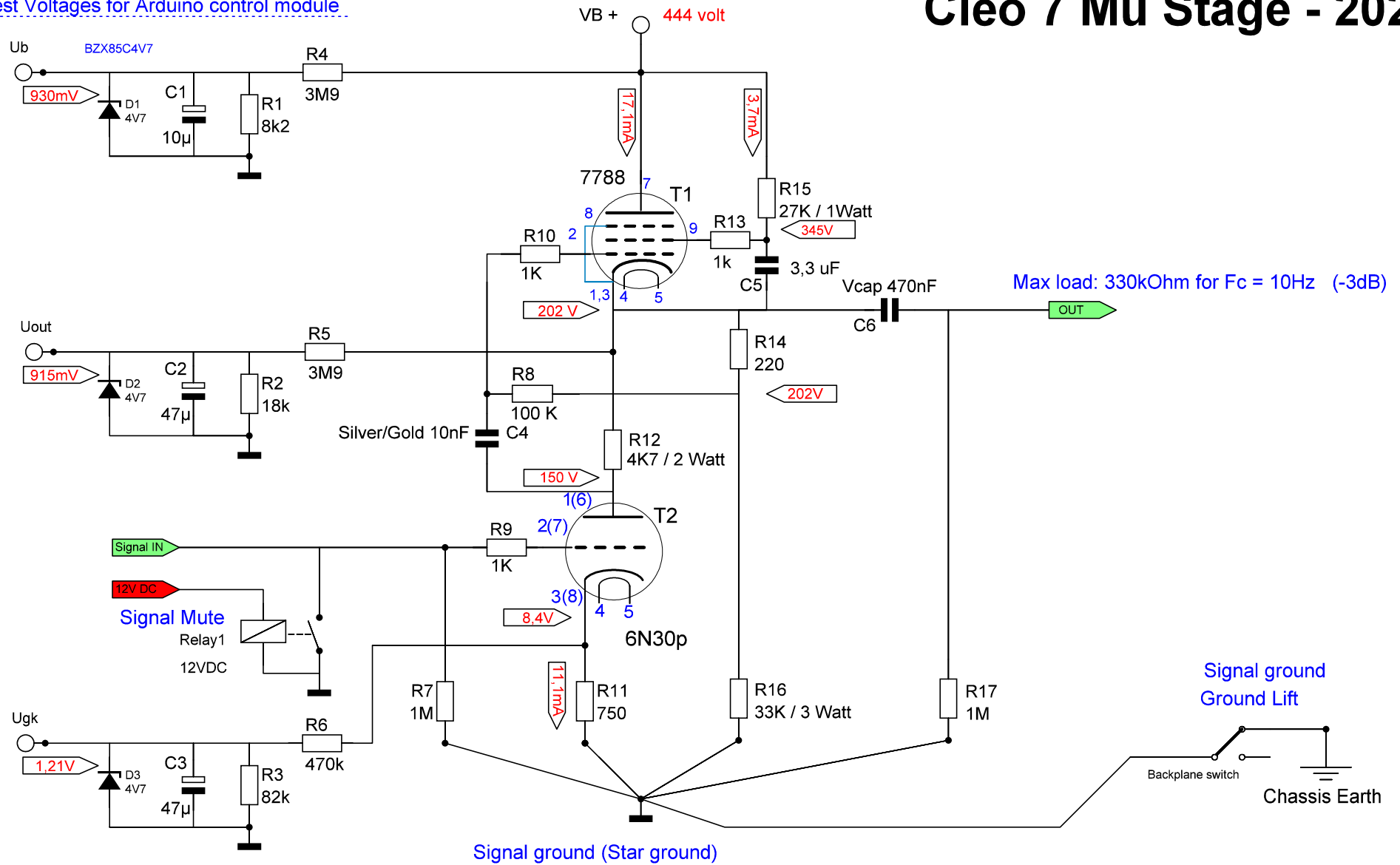
Built:  
YES

Design ready:  
YES

Page: 1 # 6

# Cleo 7 Mu Stage - 2020

Test Voltages for Arduino control module



Voltages are measured values

## Cleo 7 MU Stage Preamplifier

Update: 11-10-2020

Author: Doede Douma

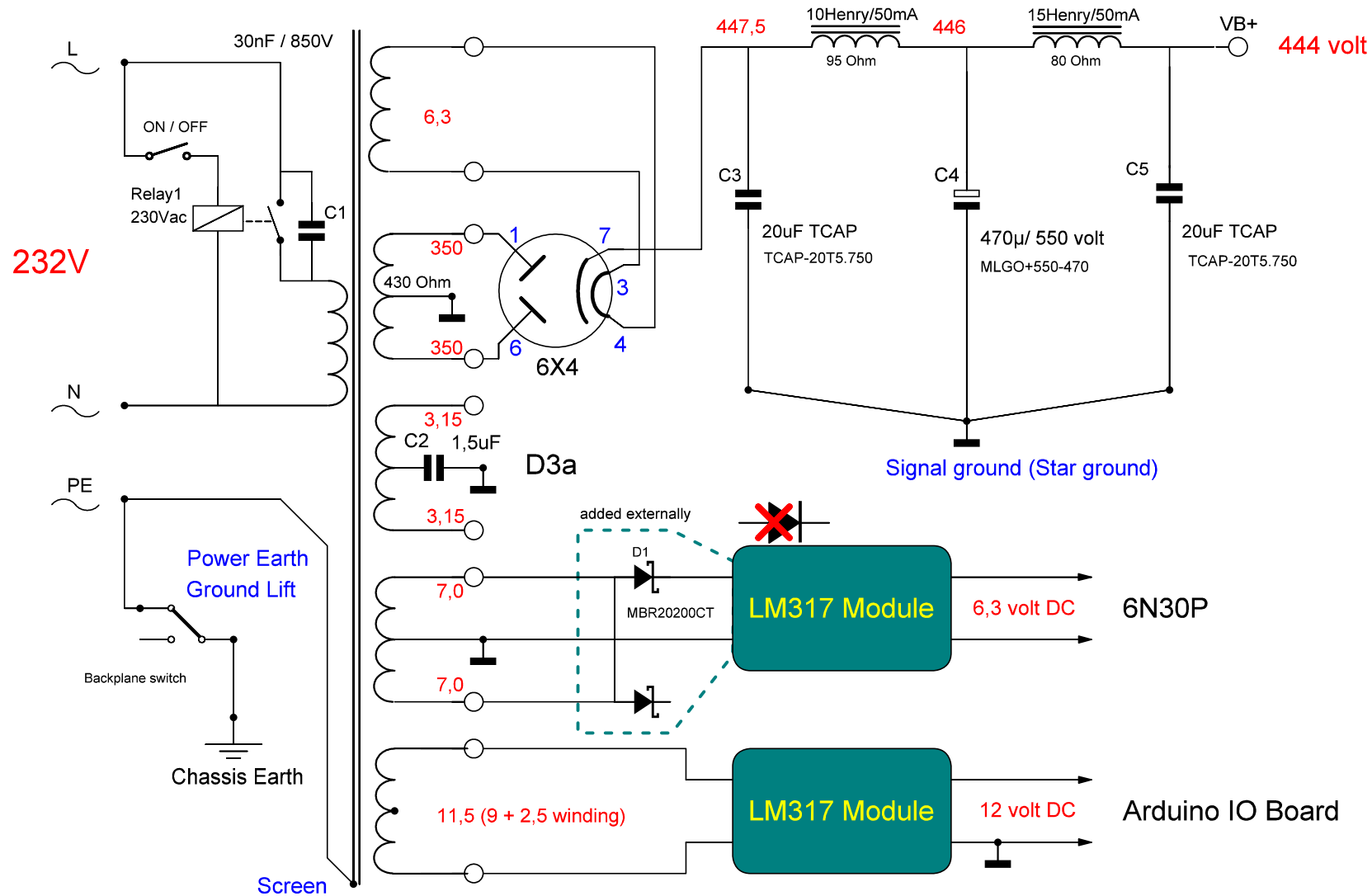
Rev: 4.0

Built:  
YES

Design ready:  
YES

Page: 2 # 6

# Cleo 7 Power supply - 2020



MBR20200CT used in stead of 1N4001 in LM317 module to avoid too high voltage drop

Voltages are measured values

## Cleo 7 Power Supply

Update: 11-10-2020

Author: Doede Douma

Rev: 4.0

Built:  
YES

Design ready:  
YES

Page: 3 # 6